



Automatic door bottoms

Door sealing systems



Automatic door bottoms

Index

Accessories & options

Finishes.....	44
320 End cap	46
361 End cap	46
321 End cap.....	46
141 End cap	46
351 End cap.....	46
360 End cap.....	46
Automatic door bottom (ADB) screw packs.....	47
Replacement rubber seals.....	47
Brass spring actuator nut.....	47
Specialty exterior protection.....	47
Rain drip 141.....	47

Heavy duty

360.....	49
362.....	49
361.....	49
364.....	49
366.....	49
365.....	49
369.....	50
368.....	50
367.....	50

Regular duty

350.....	51
352.....	51
351.....	51
355.....	51
3551.....	51
3552.....	51

Light duty

320.....	52
323.....	52
321.....	52

Special purpose

364FS.....	53
365FS.....	53
7350.....	53



Automatic door bottoms Introduction

The Zero quality advantage

Zero's patented automatic door bottom technology ensures an efficient seal against the floor or saddle.

As the door is closed, the adjustable plunger is compressed against the door frame, activating a concealed flat spring mechanism. This mechanism drops the seal smoothly from the housing in a scissor-like motion as illustrated below. The door seal compresses on either even or uneven surfaces and retracts automatically when the door is opened.

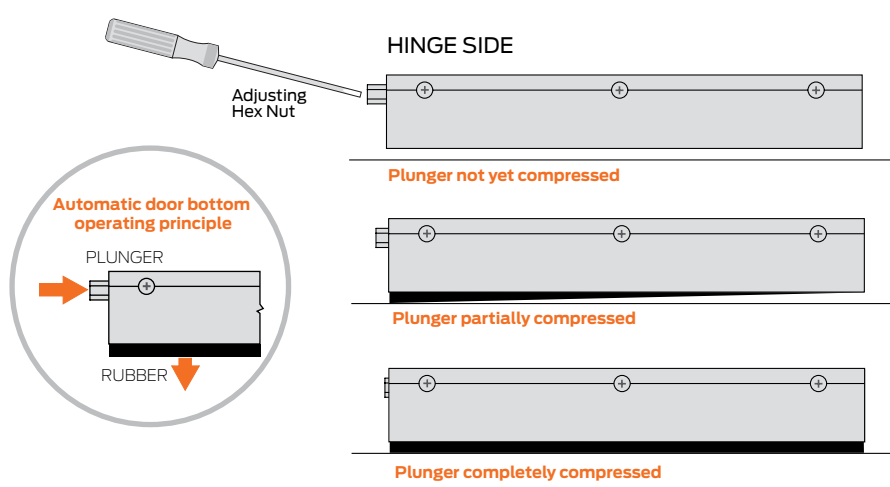
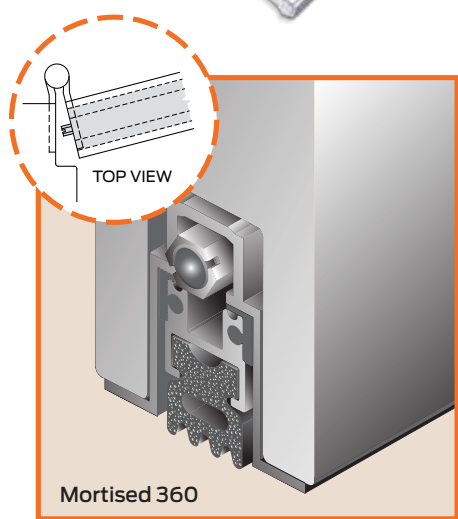
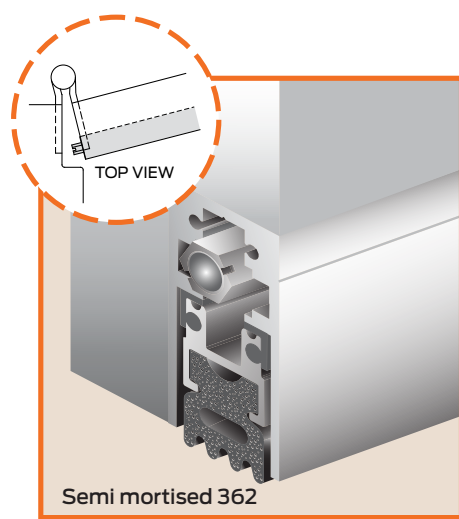
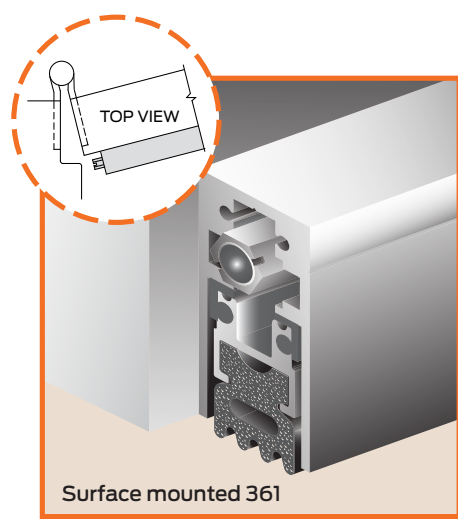
Door bottoms are available in specialized versions for various applications, including: "light spring" (LS options). Zero door bottoms are designed to block penetration by air, sound, smoke and flames.

All Zero automatic door bottoms function the same way. The concealed spring mechanism causes the insert seal to activate on the hinge side first. It prevents the seal from dragging along the floor or threshold while the door is being closed to avoid door hang-up or closing delay.

Tested and validated for 5 million cycles



US Patent# 4947584



Automatic door bottoms



Accessories & options

Finishes



AA
Clear Anodized Aluminum
(628, US28AN)



BK
Black Anodized Aluminum
(711, 315AN)



D
Dark Bronze Anodized
Aluminum (710, 313AN)



G
Gold Anodized Aluminum
(688, US10AN)

Note: See individual model for finish options.

Options

- | | |
|---|----------------------------|
| LS Light spring | SEC Security screws |
| FLO Air flow/ sound block | LK Locking key 8361 |
| Z49 Easy access plate | NH No holes |
| PL Pull out (all Z49 come with pull out feature, unless otherwise specified) | |

Light spring (LS)

When specified, the “light spring” replaces the standard heavy-duty spring mechanism that drops the seal from the door bottom housing. This feature can be useful for reducing opening and closing force for use with ADA-compatible doors.

Zero 365LS ADB was tested for opening force in conjunction with Zero 475 Head & Jamb Gasketing on an ADA compatible door, results are shown below.

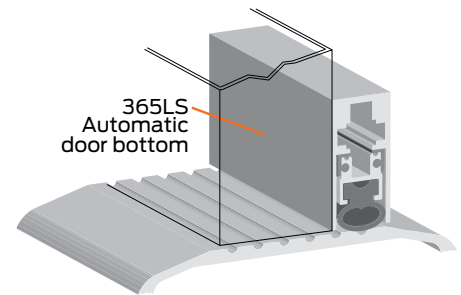
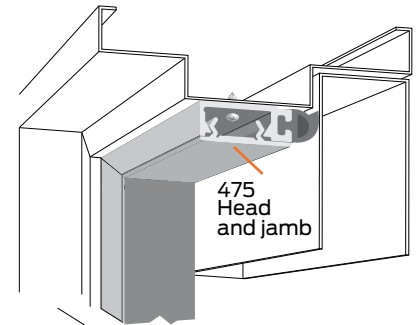
Test door: 36" X 84" x 1-3/4"

Test results:		Opening force (lbs.)	Closing force (lbs.)
Test 1	475 Head and Jamb	1.75	7.90
Test 2	475 Head and Jamb 365LS Automatic Door Bottom	1.90	9.05
Test 3	Closing force with no seals	-	6.75

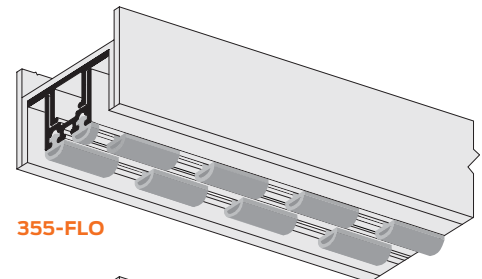
Air flow/sound block (FLO)

Available as an option for mortised automatic door bottom models 355 and 3552.

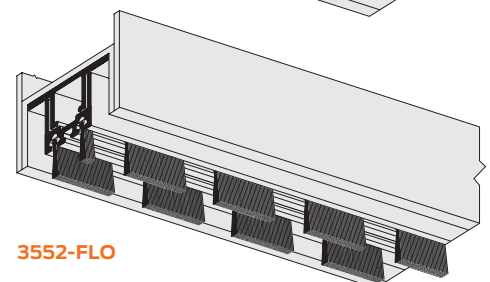
The FLO configuration is a practical solution for applications requiring air flow while blocking light and sound as much as possible. The design uses sound-dampening silicone seals or nylon brush which are notched and overlapped in staggered rows. This feature is commonly used for hotel doorways designed to exchange or allow air circulation between guest rooms and hallways.



475 and 365LS - 1.9 lbs opening force



355-FLO



3552-FLO



Accessories & options

Thresholds

Automatic door bottoms

Perimeter seals

Weatherstripping

Intumescent

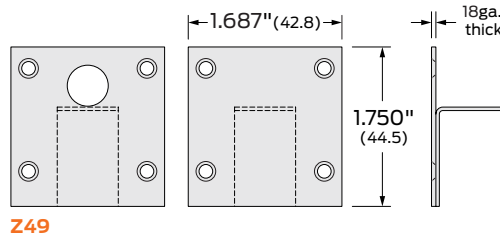
Sound control

Specialty applications

Appendix

Z49 End cap – Easy-access end caps for mortised door bottoms (Z49)

This option provides easy access end caps for cleaning the door bottom drop mechanism. It is well suited for applications in healthcare and other facilities subject to higher standards and routine inspections for cleanliness. Z49 comes standard with (PL) Pull Out feature unless otherwise specified.



Z49



Concealed door bottom

Available finishes: Powder coat USP-600

Pull-out option (PL)

Allows for easy removal of the inner seal assembly without removing the entire ADB or the door. This option is recommended for applications where the seal may need replaced or cleaned frequently.

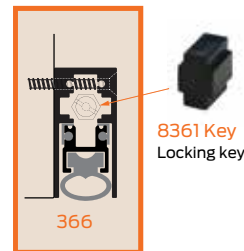
Note: Not available in lengths less than 26" for models 367, 368 and 369. All other models available in lengths 23" and up.

Security screws (SEC)

Tamper-resistant Torx security screws. Prevents unauthorized removal in hospitals, schools and public places.

Locking key 8361 (LK)

Fits over adjusting nut. Not for use with an end cap. For models 351, 352, 361, 362, 365, 366, 367, 368.



8361 Key Locking key

No holes (NH)

Door bottoms are supplied standard with mounting holes. To order without mounting holes drilled, specify NH.

Accessories & options

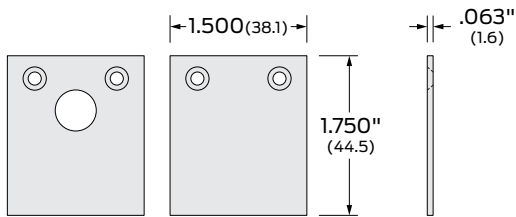
End caps

Anodized aluminum plate .063" thick.

All available in AA, Clear Anodized Aluminum finish, some available in D-Dark Bronze powder coat finish.

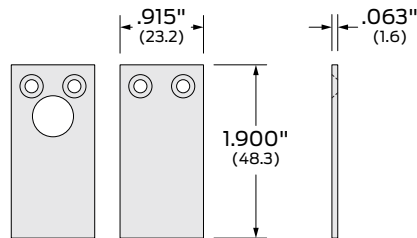
Supplied standard as noted for each endcap model.

320 End cap



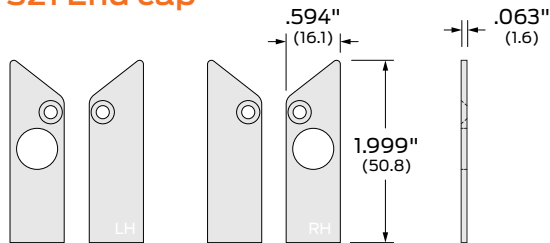
Endcap for 320 and 323 door bottoms

361 End cap



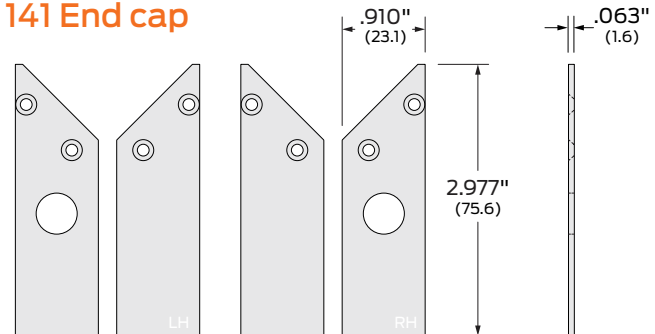
Endcap for 361, 362, 365, 366, 367, 368 door bottoms

321 End cap



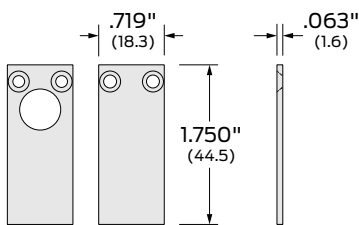
Endcap for 321 door bottoms

141 End cap



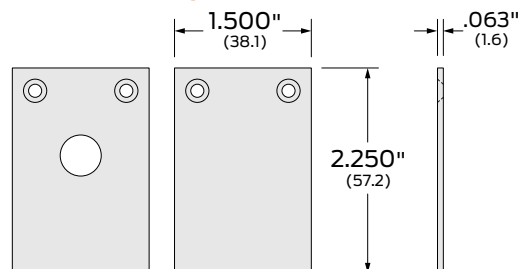
Endcap for 362, 366, 368 with 141 rain drip

351 End cap



Endcap for 351, 352 door bottoms

360 End cap



Endcap for 350, 360, 364, 369, 7350 door bottoms

Endcap kits for automatic door bottoms (ADBs)

End caps and screws are provided in standard kits supplied with the ADB models noted below.

Use these part numbers for ordering additional or replacement kits.

Models	Part number	ADB finish	Details
360, 364, 369 with Z49 option	47252145	AA	2 endcaps and 8 screws
321	47253671	AA	4 endcaps and 2 screws for both handings
321	47253671-695	BK, D, G	4 endcaps and 2 screws for both handings
320, 323	47251270	AA	2 endcaps and 4 screws
350, 360, 364, 369, 7350	47251371	AA	2 endcaps and 4 screws
351, 352	47251332	AA	2 endcaps and 4 screws
351, 352	47251332-695	BK, D, G	2 endcaps and 4 screws
361, 362, 365, 366, 367, 368	47251383	AA	2 endcaps and 4 screws
361, 362, 365, 366, 367, 368	47251383-695	BK, D, G	2 endcaps and 4 screws
362, 366, 368 with 141 rain drip end cap	47253705	AA	2 endcaps and 4 screws



Automatic door bottom (ADB) screw packs

Automatic door bottoms are supplied with the appropriate screws and quantities needed for installation based on order length. Use the part numbers below for ordering additional screws.

Models	Category	Part number	ADB Finish	Details
320, 323, 350, 355, 360, 364, 369, 3551, 3552, 7350 Up to 108"	ADB	47253854	AA	22 Screws #6 x 3/4" PPHSDS ZP
321, 351, 361, 365, 367 up to 108"	ADB	47253868-00	AA	11 Screws #8 X 1-1/2" Truss PHSMS ZP
321, 351, 361, 365, 367 up to 108"	ADB	47253868-34	G	11 Screws #8 X 1-1/2" Truss PHSMS Gold ZP
321, 351, 361, 365, 367 up to 108"	ADB	47253868-695	D, BK	11 Screws #8 X 1-1/2" Truss PHSMS Black ZP
352, 362, 366, 368, up to 108"	ADB	47253866-00	AA	11 Screws #8 X 1-1/2" FPHSMS ZP
352, 362, 366, 368 up to 108"	ADB	47253866-34	G	11 Screws #8 X 1-1/2" FPHSMS - Gold ZP
352, 362, 366, 368 up to 108"	ADB	47253866-695	D, BK	11 Screws #8 X 1-1/2" FPHSMS - Black ZP
352, 362, 366, 368	ADB	47259741	AA	11 Screws #8 X 1-1/2" Flat security torx SMS
352, 362, 366, 368	ADB	47259741-480	D, BK	11 Screws #8 X 1-1/2" Flat security torx SMS, Black ZP
352, 362, 366, 368	ADB	47259741-633	G	11 Screws #8 X 1-1/2" Flat security torx SMS, BRS Plate
321, 351, 361, 365, 367	ADB	47259744	AA	11 Screws #8 X 1-1/2" Button security torx SMS, Clear ZP
321, 351, 361, 365, 367	ADB	47259744-480	D, BK	11 Screws #8 X 1-1/2" Button security torx SMS, Black ZP
321, 351, 361, 365, 367	ADB	47259744-633	G	11 Screws #8 X 1-1/2" Button security torx SMS, BRS plate

Replacement rubber seals

Replacement seals are available for ADB models containing rubber components. Ordering information is provided in the appendix. If you are viewing an interim version of this catalog, please contact Customer Support for replacement rubber.

Brass spring actuator nut

50 mm 47255867

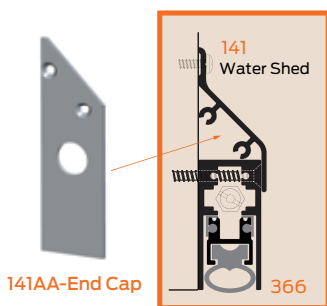
Extends the length of the door bottom actuator rod to compensate for variation in door gaps or other installed conditions.



Specialty exterior protection

Perimeter water sheds can be useful for impeding water ingress at door bottoms. To order, please refer to How-to-Order instructions in the Perimeter Seals section. If you are using an interim Automatic Door Bottom catalog that does not include perimeter seals, please call Allegion Customer Care for ordering assistance at: 877-671-7011, option 2 for technical services.

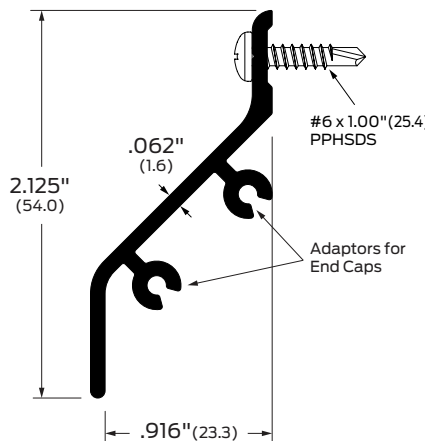
Rain drip 141



Finishes:
AA, BK, D, G

ANSI/BHMA:
141AA, 141BK, 141D, 141G R3Y936

For 362, 366, 368 surface-mounted applications (with flat head screws).





Automatic door bottoms order guide

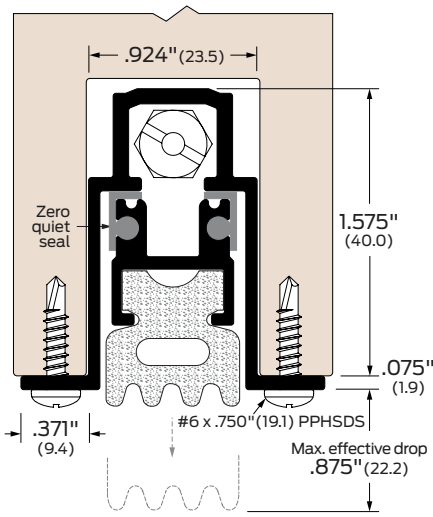
How to order

	Model	Finish	Options	Length	Metric	End Cap
	360	AA	LS	36		Z49
Models						
Example						
320*						
321						
323						
350*						
351						
352						
355*						
360*						
361						
364*						
364FS						
365						
365FS						
367						
368						
369*						
3551*						
3552*						
7350						
*Models: 320, 350, 355, 360, 364 and 369, available in AA finish only. End caps not included with 355, 3551, and 3552.						
Finishes						
AA - Aluminum Clear Anodized (US28)						
BK - Black Anodized (315AN)						
D - Aluminum Dark Bronze Anodized (313AN)						
G - Aluminum Gold Anodized						
Options						
Blank - no options						
LS - Light spring (not available on models: 355, 364FS, 365FS, 366FS, 367, 368, 369, 3551, 3552)						
FLO - Air Flow configuration (available on 355 and 3552 only)						
Z49 - Easy access plate						
PL - Pull out option						
SEC - #8 X 1-1/2" Flat security Torx SMS (available on 352, 362, 366, and 368), #8 x 1-1/2" Button SEC Torx SMS (available on 321, 351, 361, 365, 367)						
LK - Locking key 8361						
NH - No mounting holes						
Length						
Use decimal to nearest 1/8" increment. Sizes under 18" trimming may be limited.						
Metric						
Blank = US Standard						
MM = Metric in millimeters (rounded to the nearest 1/8")						
End cap						
Blank = Std. End Caps Included						
Z49 = End cap for models only: (360, 364, 364FS, 369)						



Heavy duty

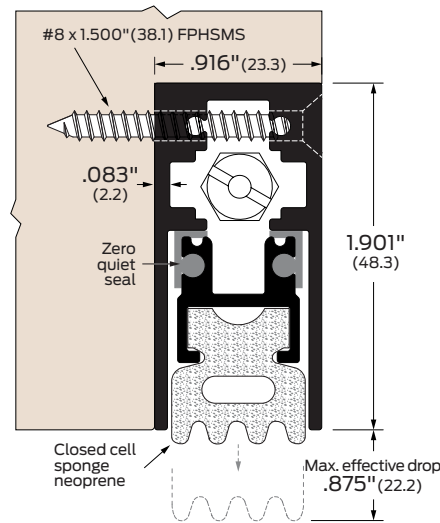
360



Finishes: AA
Options: LS, Z49, End Cap, PL, NH
ANSI/BHMA: 360AA R3C324

Mortised. Supplied with closed cell sponge neoprene. Note: Consult your local AHJ for maximum allowable door undercut.

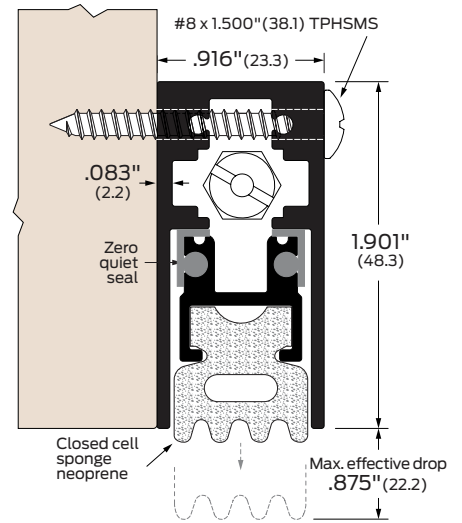
362



Finishes: AA, BK, D, G
Options: LS, PL, SEC, LK, NH
ANSI/BHMA: 362AA, 362BK, 362D, 362G R3B344

Semi-mortised applications. Supplied with closed cell sponge neoprene. Note: Consult your local AHJ for maximum allowable door undercut.

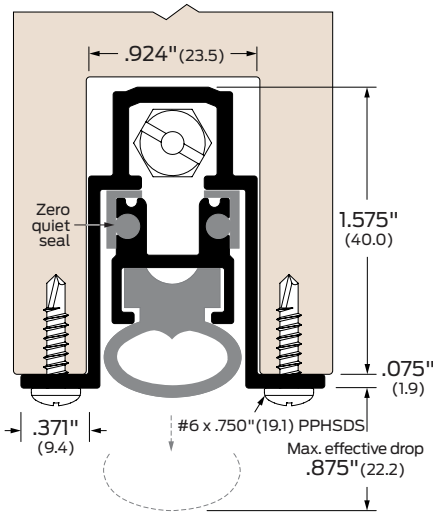
361



Finishes: AA, BK, D, G
Options: LS, PL, NH, LK, SEC
ANSI/BHMA: 361AA, 361BK, 361D, 361G R3C334

Surface-mounted applications. Supplied with closed cell sponge neoprene.

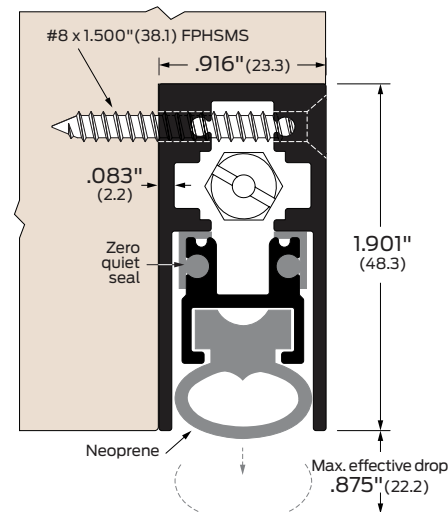
364



Finishes: AA
Options: LS, Z49, End Cap, PL, NH
ANSI/BHMA: 364AA R3B324

Mortised. Supplied with solid neoprene extrusion. Note: consult your local AHJ for maximum allowable door undercut.

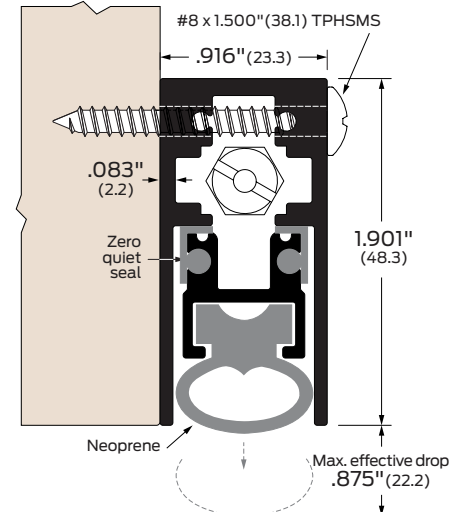
366



Finishes: AA, BK, D, G
Options: LS, PL, SEC, LK, NH
ANSI/BHMA: 366AA, 366BK, 366D, 366G R3B344

Semi-mortised applications. Supplied with solid neoprene extrusion. Note: Consult your local AHJ for maximum allowable door undercut.

365



Finishes: AA, BK, D, G
Options: LS, PL, SEC, LK, NH
ANSI/BHMA: 365AA, 365BK, 365D, 365G R3B334

Surface-mounted applications. Supplied with solid neoprene extrusion.

See ADB Accessories & options page for details.

Finishes:

- AA** Aluminum clear anodized
- BK** Aluminum black anodized
- D** Aluminum dark bronze anodized
- G** Aluminum gold anodized

Options:

- LS** Light spring
- FLO** Air flow/ sound block
- Z49** Removable end cap
- PL** Pull out
- SEC** Torx security screws
- LK** Locking key
- NH** No holes

Note:

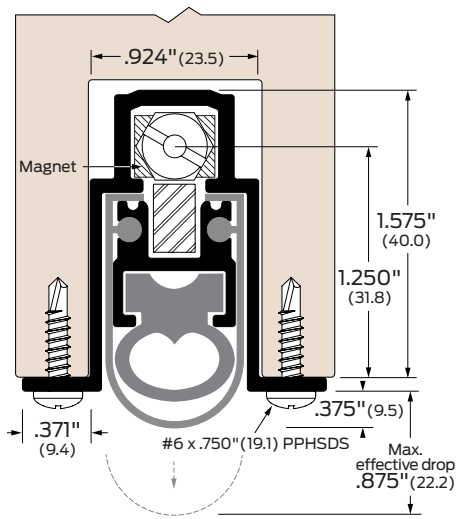
Maximum order length is 60" unless noted otherwise. Lengths up to 96" on some models available as engineering special order.
 Lengths 10" - 18" available only with light spring drop mechanism. Not recommended for maximum drop greater than .500".
 Except where noted, all models on this page are shipped in standard LH/RHR configuration with locking screw concealed (facing the door). Handing is reversible.

Automatic door bottoms

Heavy duty



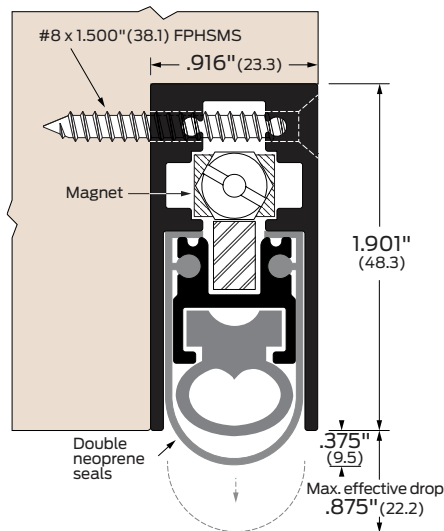
369



Finishes: AA
Options: Z49 End
 Cap, PL,
 NH
ANSI/BHMA: 369AA R3B324

Mortised. Supplied with double solid neoprene seal. Magnet feature only on ADBs 24" and over. Note: Consult your local AHJ for maximum allowable door undercut.

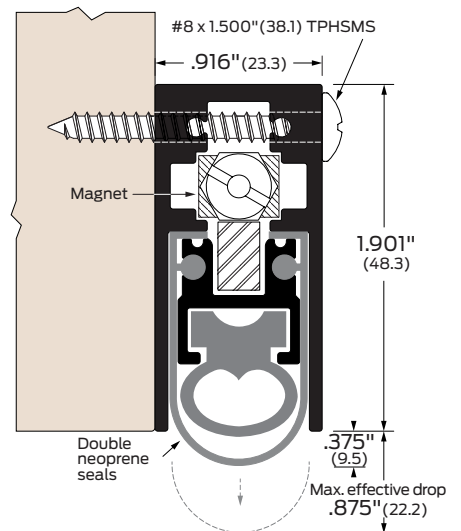
368



Finishes: AA, BK, D, G
Options: PL, SEC,
 LK, NH
ANSI/BHMA: 368AA, 368BK, 368D, 368G R3B344

Semi-mortised applications. Supplied with solid neoprene extrusion. Magnet feature only on ADBs 24" and over. Note: Consult your local AHJ for maximum allowable door undercut.

367



Finishes: AA, BK, D, G
Options: SEC, PL,
 LK, NH
ANSI/BHMA: 367AA, 367BK, 367D, 367G R3B334

Surface-mounted. Supplied with double solid neoprene seal. Magnet feature only on ADBs 24" and over.

See ADB Accessories & options page for details.

Finishes:

AA Aluminum clear anodized
BK Aluminum black anodized
D Aluminum dark bronze anodized
G Aluminum gold anodized

Options:

LS Light spring
FLO Air flow/ sound block
Z49 Removable end cap
PL Pull out
SEC Torx security screws
LK Locking key
NH No holes

Note:

Maximum order length is 60" unless noted otherwise. Lengths up to 96" on some models available as engineering special order.

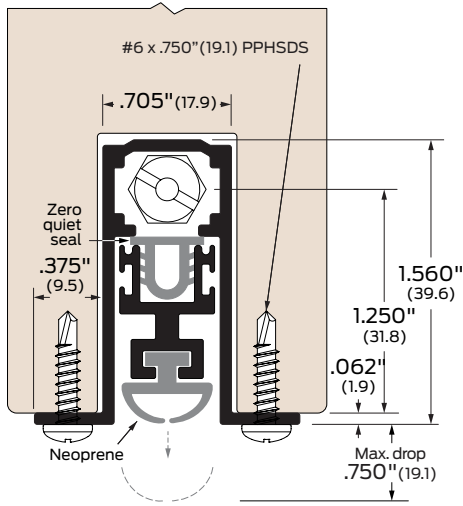
Lengths 10" - 18" available only with light spring drop mechanism. Not recommended for maximum drop greater than .500".

Except where noted, all models on this page are shipped in standard LH/RHR configuration with locking screw concealed (facing the door). Handing is reversible.



Regular duty

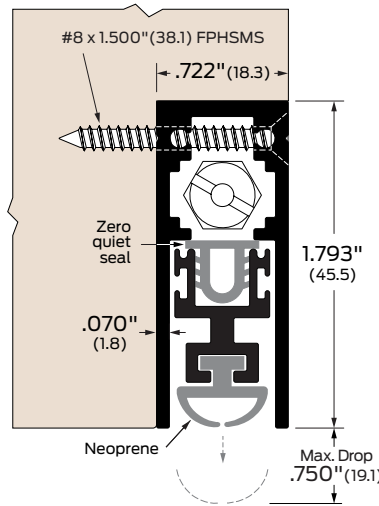
350



Finishes: AA
Options: LS, PL, NH
ANSI/BHMA: 350AA R3B324
BHMA CERTIFIED

Mortised. Supplied with solid neoprene extrusion. Lengths 60-96" available as engineering specials.

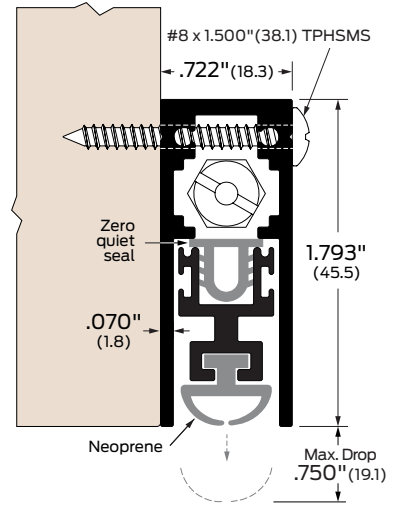
352



Finishes: AA, BK, D, G
Options: LS, PL, SEC, LK, NH
ANSI/BHMA: 352AA, 352BK, 352D, 352G R3B344
BHMA CERTIFIED

Semi-mortised. Supplied with solid neoprene extrusion. Lengths 60-96" available as engineering specials.

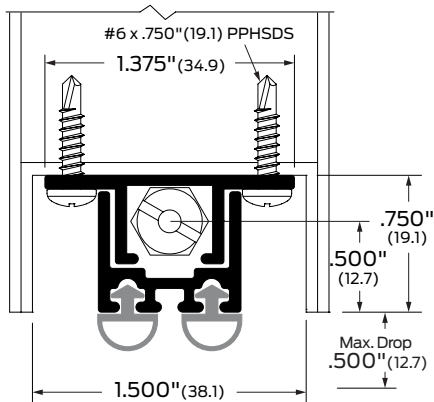
351



Finishes: AA, BK, D, G
Options: LS, SEC, PL, LK, NH
ANSI/BHMA: 351AA, 351BK, 351D, 351G R3B334
BHMA CERTIFIED

Surface-mounted. Supplied with solid neoprene extrusion. Lengths 60-96" available as engineering specials.

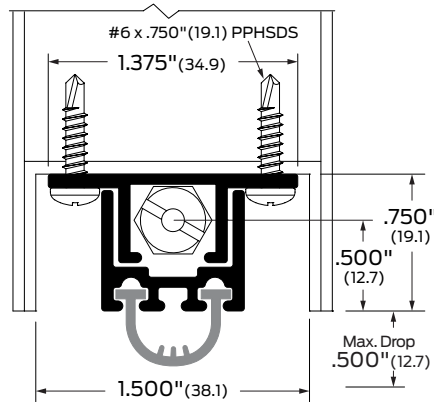
355



Finishes: AA
Options: FLO, PL, NH
ANSI/BHMA: 355A R3E324
BHMA CERTIFIED

For use with hollow metal doors. Mortised. Supplied without end caps.

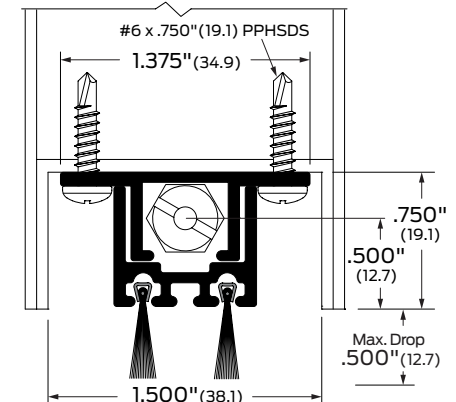
3551



Finishes: AA
Options: PL, NH

For use with hollow metal doors. Mortised. Supplied without end caps.

3552



Finishes: AA
Options: FLO, PL, NH

For use with hollow metal doors. Mortised. Supplied without end caps.

See ADB Accessories & options page for details.

Finishes:

AA Aluminum clear anodized
BK Aluminum black anodized
D Aluminum dark bronze anodized
G Aluminum gold anodized

Options:

LS Light spring
FLO Air flow/ sound block
Z49 Removable end cap
PL Pull out
SEC Torx security screws
LK Locking key
NH No holes

Note:

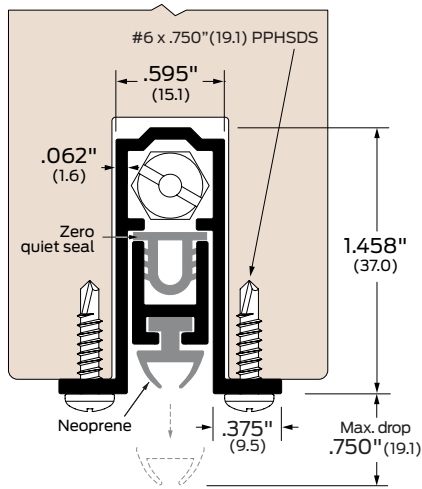
Maximum order length is 60" unless noted otherwise. Lengths up to 96" on some models available as engineering special order.
Lengths 10" - 18" available only with light spring drop mechanism. Not recommended for maximum drop greater than .500".
Except where noted, all models on this page are shipped in standard LH/RHR configuration with locking screw concealed (facing the door). Handing is reversible.

Automatic door bottoms

Light duty



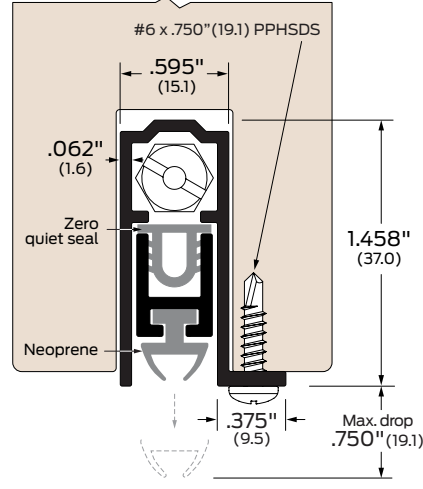
320



Finishes: AA
Options: LS, PL, NH
ANSI/BHMA: 320AA R3B324
BHMA
CERTIFIED

Mortised. Lengths 60-96" available as engineering specials.

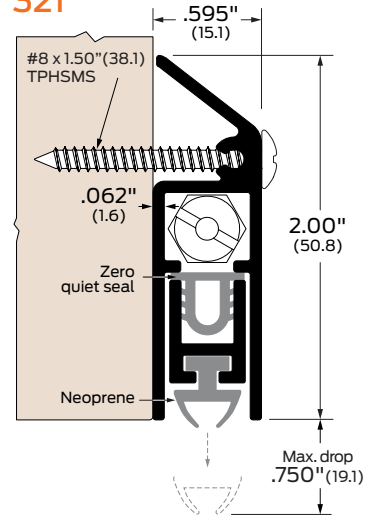
323



Finishes: AA
Options: LS, PL, NH
ANSI/BHMA: 323A R3B324
BHMA
CERTIFIED

Mortised. Supplied with two handing holes that allow changing handing without changing mounting orientation. Lengths 60-96" available as engineering specials.

321



Finishes: AA, BK, D, G
Options: LS, PL, SEC, NH
ANSI/BHMA: 321AA, 321BK, 321D, 321G R3B334
BHMA
CERTIFIED

Surface-mounted. Supplied with two handing holes that allow changing handing without changing mounting orientation. Lengths 60-96" available as engineering specials.

See ADB Accessories & options page for details.

Finishes:

AA Aluminum clear anodized
BK Aluminum black anodized
D Aluminum dark bronze anodized
G Aluminum gold anodized

Options:

LS Light spring
FLO Air flow/ sound block
Z49 Removable end cap
PL Pull out
SEC Torx security screws
LK Locking key
NH No holes

Note:

Maximum order length is 60" unless noted otherwise.

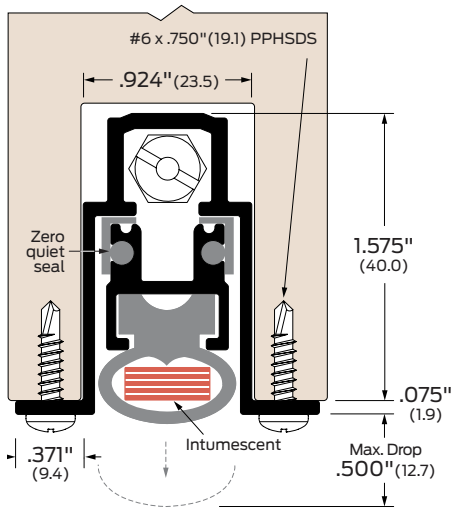
Lengths 10" - 18" available only with light spring drop mechanism. Not recommended for maximum drop greater than .500".

Except where noted, all models on this page are shipped in standard LH/RHR configuration with locking screw concealed (facing the door). Handing is reversible.



Special purpose

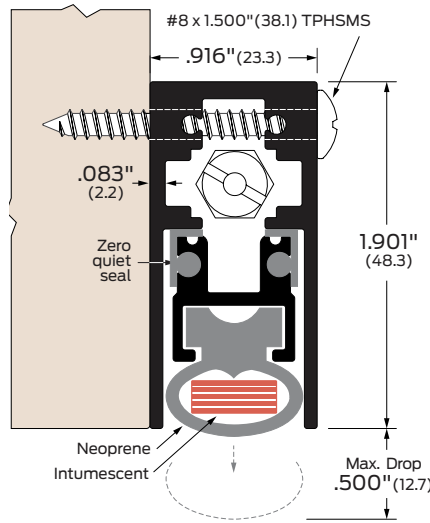
Intumescent automatic door bottoms 364FS



Finishes: AA
Options: Z49, PL, NH
ANSI/BHMA: 364FSAA R3B324
BHMA CERTIFIED

Mortised. Intumescent fire protection.

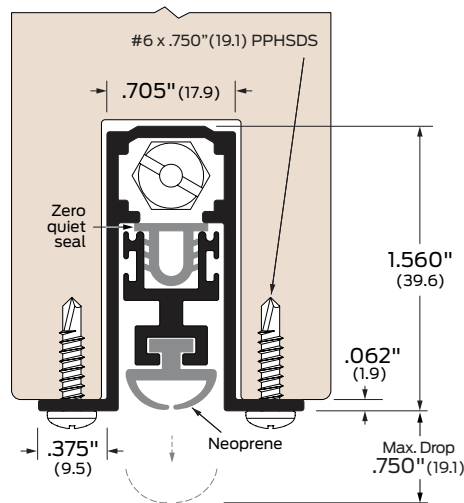
365FS



Finishes: AA, BK, D, G
Options: LK, PL, SEC, NH
ANSI/BHMA: 365FS-AA, 365FS-BK, 365FS-D, 355FSG R3B334
BHMA CERTIFIED

Surface-mounted application. Intumescent fire protection.

Sliding door automatic door bottom 7350



Finishes: AA
Options: LS, PL, NH

Mortised, for latching pocket/sliding doors.
Note: This automatic door bottom functions differently from other ZERO door bottoms. When the plunger is compressed, the mechanism causes the insert seal to activate and drop evenly along the door bottom. Maximum length of 48".

See ADB Accessories & options page for details.

Finishes:

- AA** Aluminum clear anodized
- BK** Aluminum black anodized
- D** Aluminum dark bronze anodized
- G** Aluminum gold anodized

Options:

- LS** Light spring
- FLO** Air flow/ sound block
- Z49** Removable end cap
- PL** Pull out
- SEC** Torx security screws
- LK** Locking key
- NH** No holes

Note:

Maximum order length is 60" unless noted otherwise. Lengths up to 96" on some models available as engineering special order.
Lengths 10" - 18" available only with light spring drop mechanism. Not recommended for maximum drop greater than .500".
Except where noted, all models on this page are shipped in standard LH/RHR configuration with locking screw concealed (facing the door). Handing is reversible.